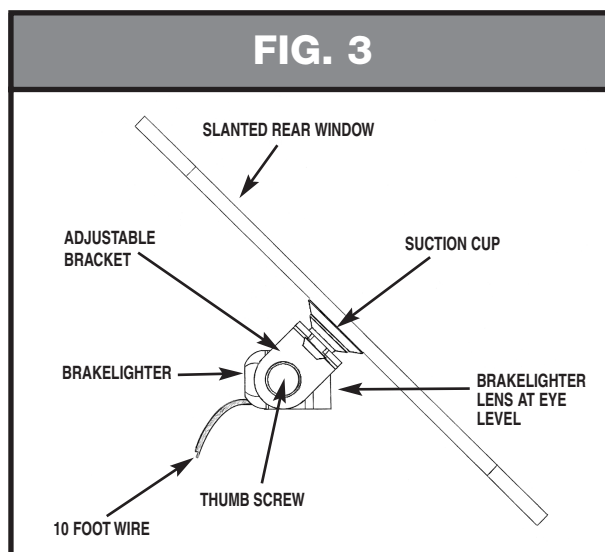
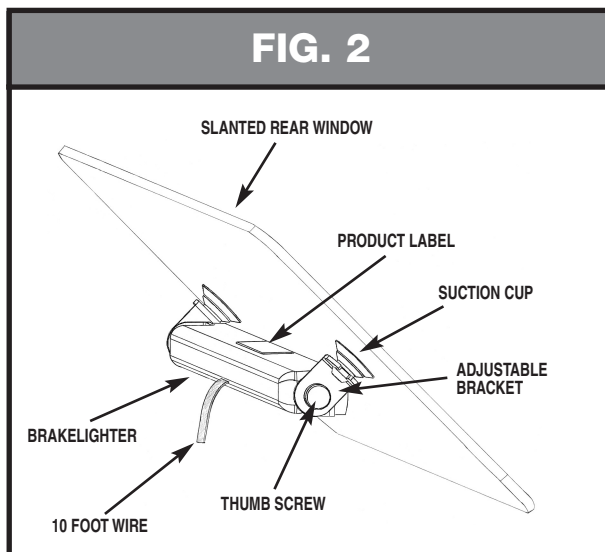
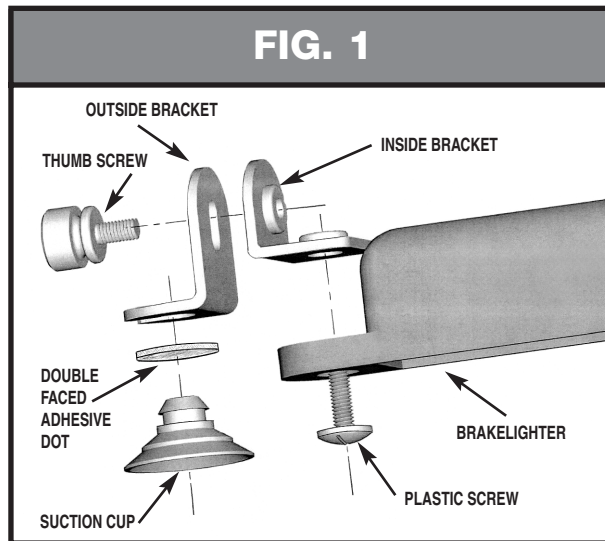


BRAKELIGHTER™ BRACKET

ASSEMBLY & MOUNTING INSTRUCTIONS

DESCRIPTION

The BrakeLighter™ adjustable brackets are designed for cars that have slanted or angled rear windows. Light Emitting Diodes (L.E.D.) are directional and for best viewing the BrakeLighter housing should be adjusted so that it can be viewed at eye level towards the rear.



STEP 1:

Assemble the outside and inside brackets with the thumb screw, as shown in Fig. 1.

STEP 2:

Attach the bracket assembly to the BrakeLighter end tab with the plastic screw, as shown in Fig. 1.

STEP 3:

Insert the suction cup or double adhesive dot onto the outside bracket, as shown in Fig. 1.

STEP 4:

Mount the BrakeLighter on the inside of the rear window (follow mounting instructions per the "Installation & Wiring Guide" booklet).

STEP 5:

Adjust the bracket so that the BrakeLighter is aimed at eye level or parallel to the road, as shown in Fig. 2 and Fig. 3.

J & L Enterprises, Inc.

83 Hopkins Road

Ellington, CT 06029

Tel: 860-916-3582

Email: jsbieback@sbcglobal.net